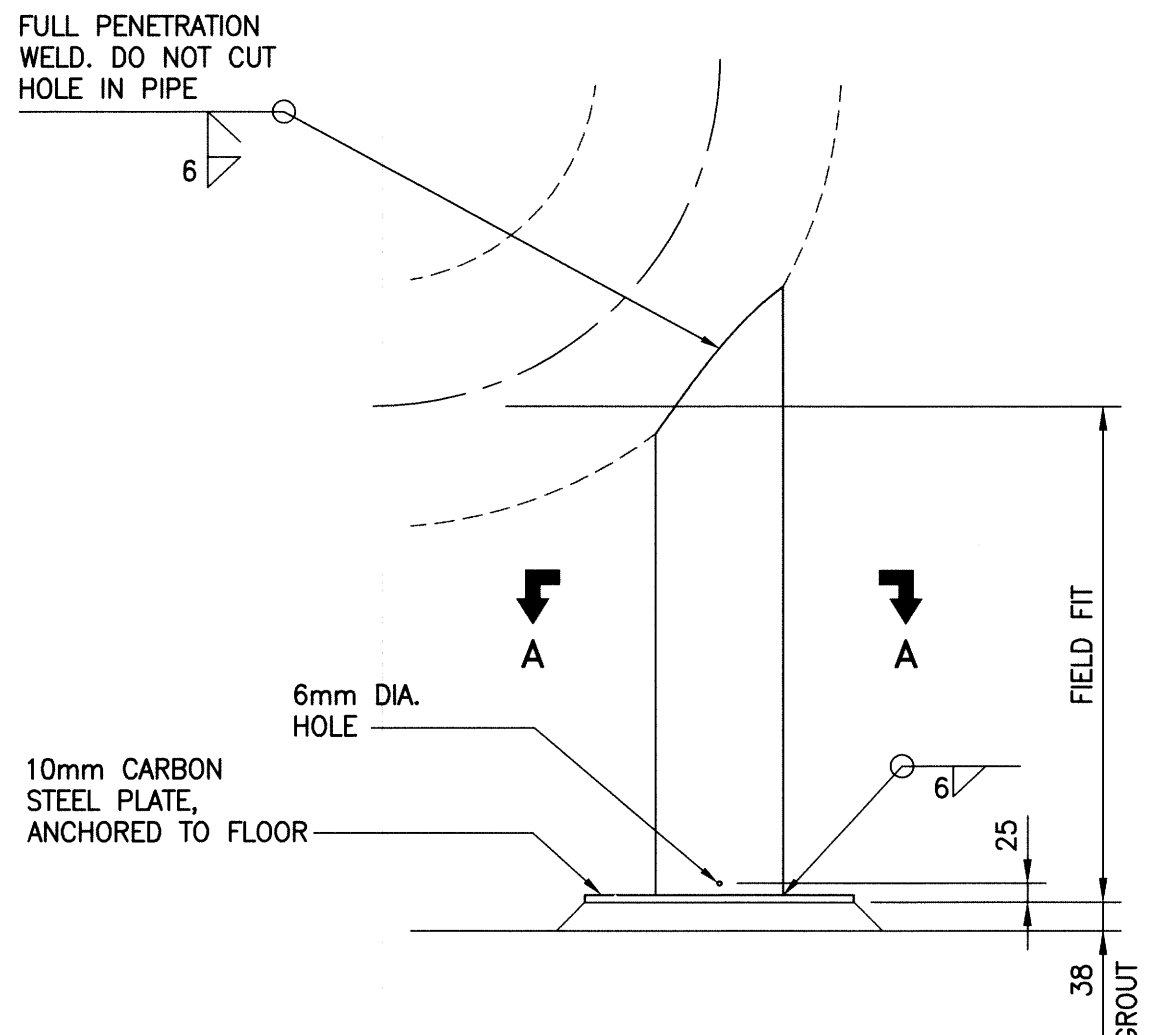


ELEVATION

PIPE SPOOLS 1.5 & 1.6  
SCALE: 1:10



ELEVATION

BASE SUPPORT DETAIL  
SCALE: 1:10

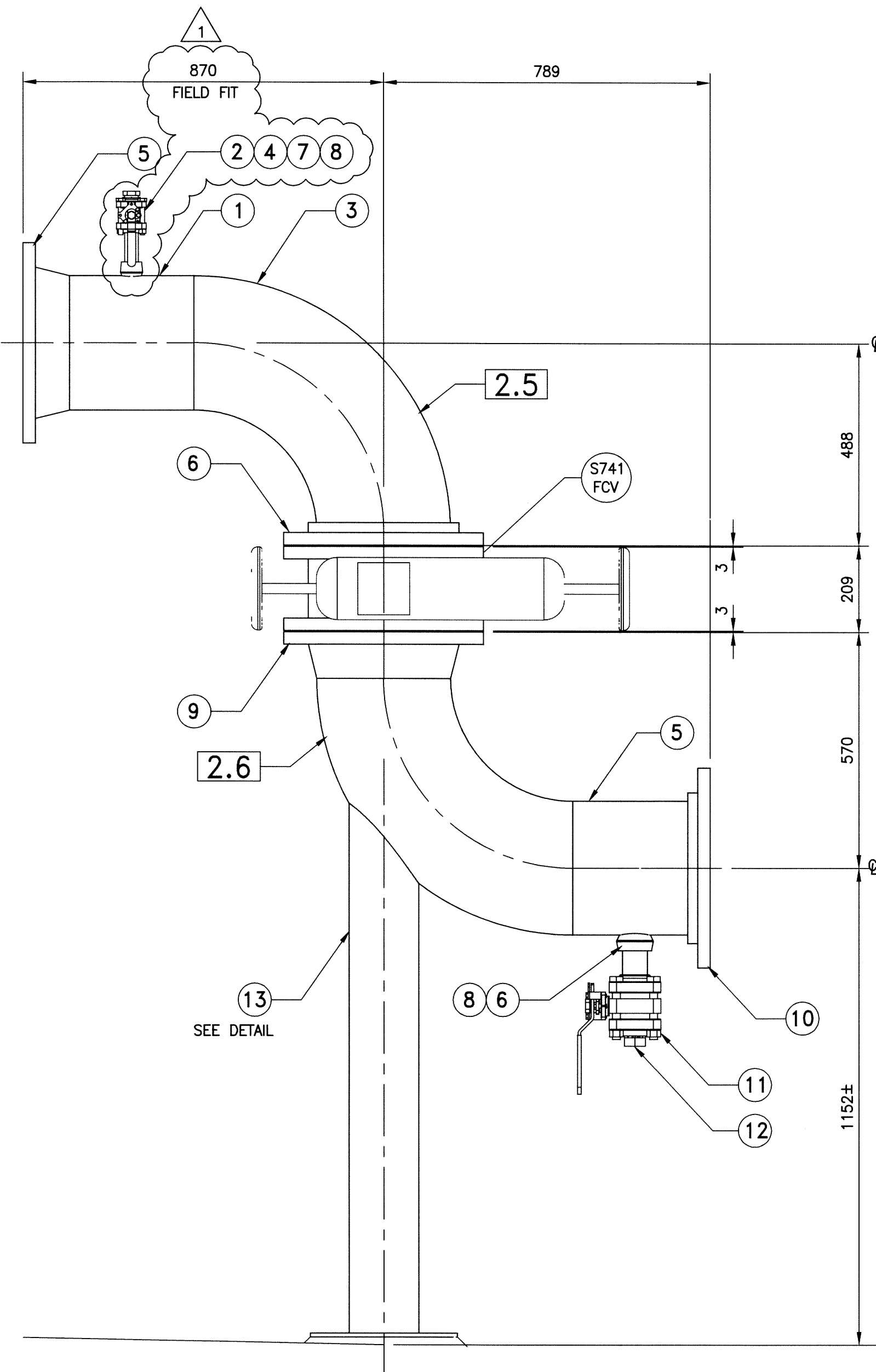
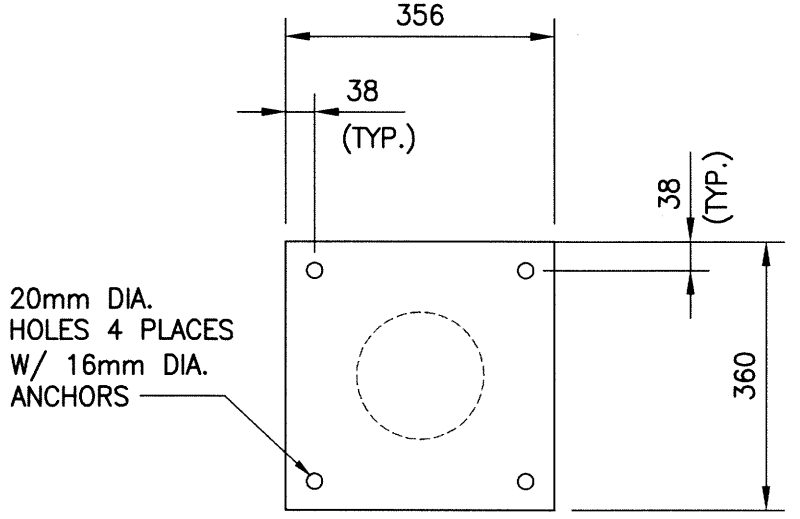
BILL OF MATERIALS - 1.5

PART NO.	QTY	SIZE	TAG	DESCRIPTION
1	1	300 (12")		PIPE
2	1	25 (1")		NIPPLE, 75mm (3") LG.
3	1	300 (12")		90° ELBOW
4	1	25 (1")		THREDOLET
5	1	300 (12")		WELD NECK FLANGE, FF
6	1	300 (12")		SLIP-ON FLANGE, FF
7	1	25 (1")	S740-HV7	BALL VALVE W/ LEVER
8	1	25 (1")		PLUG, THRD

BILL OF MATERIALS - 1.6

PART NO.	QTY	SIZE	TAG	DESCRIPTION
5	1	300 (12")		PIPE
6	1	50 (2")		NIPPLE, 75mm (3") LG.
7	1	300 (12")		90° ELBOW
8	1	50 (2")		THREDOLET
9	1	300 (12")		WELD NECK FLANGE, FF
10	1	300 (12")		SLIP-ON FLANGE, FF
11	1	50 (2")	S740-HV6	BALL VALVE W/ LEVER
12	1	50 (2")		PLUG, THRD
13	1	150 (6")		BASE SUPPORT

A-A PLATE



ELEVATION

PIPE SPOOLS 2.5 & 2.6  
SCALE: 1:10

GENERAL NOTES:

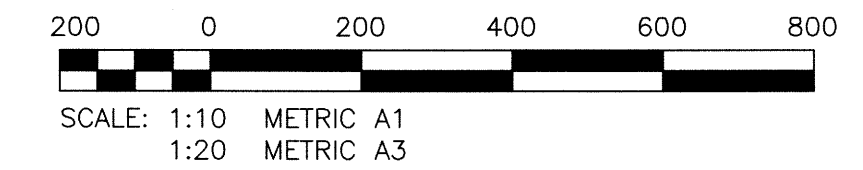
1. REFER TO GENERAL NOTES ON DWG. M02.

BILL OF MATERIALS - 2.5

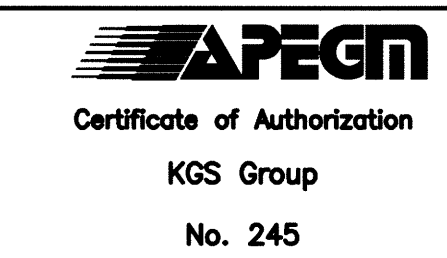
PART NO.	QTY	SIZE	TAG	DESCRIPTION
1	1	300 (12")		PIPE
2	1	25 (1")		NIPPLE, 75mm (3") LG.
3	1	300 (12")		90° ELBOW
4	1	25 (1")		THREDOLET
5	1	300 (12")		WELD NECK FLANGE, FF
6	1	300 (12")		SLIP-ON FLANGE, FF
7	1	25 (1")	S741-HV7	BALL VALVE W/ LEVER
8	1	25 (1")		PLUG, THRD

BILL OF MATERIALS - 2.6

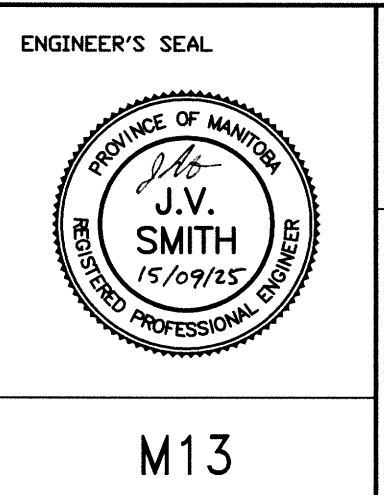
PART NO.	QTY	SIZE	TAG	DESCRIPTION
5	1	300 (12")		PIPE
6	1	50 (2")		NIPPLE, 75mm (3") LG.
7	1	300 (12")		90° ELBOW
8	1	50 (2")		THREDOLET
9	1	300 (12")		WELD NECK FLANGE, FF
10	1	300 (12")		SLIP-ON FLANGE, FF
11	1	50 (2")	S741-HV6	BALL VALVE W/ LEVER
12	1	50 (2")		PLUG, THRD
13	1	150 (6")		BASE SUPPORT



METRIC  
WHOLE NUMBERS INDICATE MILLIMETRES  
DECIMALIZED NUMBERS INDICATE METRES



FIELD BOOK #		DESIGNED BY JS		CHECKED BY RED	
POSTED TO LBS		DRAWN BY RP		APPROVED BY JS	
1 RE-ISSUED FOR CONSTRUCTION 15/09/25 JS		HOR. SCALE AS NOTED		RELEASED FOR CONSTRUCTION	
0 ISSUED FOR CONSTRUCTION 15/09/17 JS		VERTICAL AS NOTED		2015 08 17	
ND REVISIONS		DATE		DATE	



**THE CITY OF WINNIPEG**  
WATER AND WASTE DEPARTMENT

WEWPCC RAS PIPE REPLACEMENT

**MECHANICAL**  
RAS PIPING - PIPE SPOOL DETAILS

SHEET 5 OF 5  
CITY DRAWING NUMBER  
1-0103S-M0036-005-01